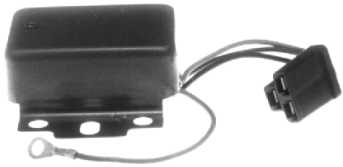
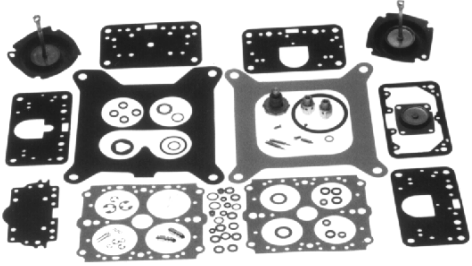

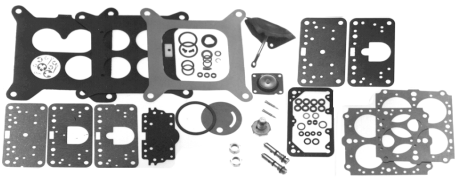

 <p>18-7227 CHOKE THERMOSTAT Replaces: RN0067 For Holley Carburetors</p>	 <p>18-5727 VOLTAGE REGULATOR Replace: R098002, PrestoliteVSH-6201ADY FORD through 1982 Used with GM 1976-89 Alternators ALK-6212Y,YS ALK-6220Y,YS</p>	 <p>18-7017 AP# 3630 CARBURETOR KIT (Contains non-adjustable needles & seats) Replaces: RN0118-1,RN0120-1</p>
---	---	--

 <p>18-7081 AP# 3626 CARBURETOR KIT Replaces: RN0116,RN0116-2</p>	 <p>18-7096 AP# 139 CARBURETOR KIT Replaces: RN0118,RN0120</p>	 <p>18-7206 AP# 3627 NITROPHYL FLOAT</p>
---	---	--

INBOARD

CARBURETOR KIT AND FLOAT APPLICATION

Engine/Model	Cyl.	Mfg. Code	Carb. Model	Carburetor No.	Float	Carb. Kit ①
155, 165, 175, 185 w/302" (5.0L)	8	H-2	2300	R-6150A,R-6317A, R-6317-1A, R-7036A		
				(D1JJ-9510-B, D3JL-9510-S)	18-7206	18-7081
215, 255, 215 w/302" (5.0L) 351" (5.8L)	8	H-4	4160	R-4473A,R-4473AAS, R-4608A, R-4608AAS, R-6151A,R6151AAA, R-6152A,R-6152AAA, R-6407A, R-6576A (C9FF-9510-E,D2JL-9510E)	18-7206	18-7096
215, 255 w/302" (5.0L) 351" (5.8L)	8	H-4	4160	R-7159A,R-7163A, D4JL-9510-F, D4JL-9510-G	—	18-7017

① Does not include metering rods.