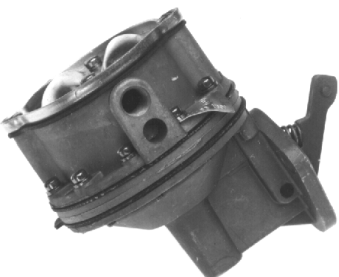
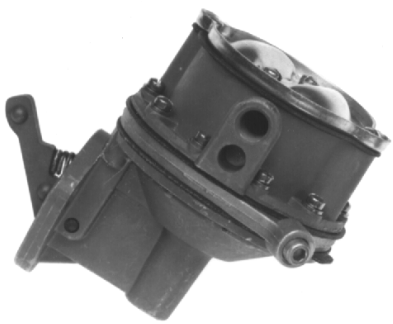



CARBURETOR KIT/FLOAT APPLICATION						
Cyl.	Eng./Model	Mfg. Code	Carb. Model	Carburetor	Float Number	Carb. Kit ①
4	A & B (1942-55)	Z-1	63M	8963	—	18-7732
4	K (1942-56)	Z-1	63M	8983	—	18-7732
4	B (1957-67)	Z-1	63M2	12206	—	18-7732
4	K (1956-62)	Z-1	63M2	12091	—	18-7732
4	153" (2.5L), 181" (3.0L)	R-2	2GC	7041187, 7042181, 17059055	18-7200	18-7070
6	225" (3.7L)	R-2	2GC	7025181, 189	—	18-7070
8	283" (4.6L)	R-2	2GC	7019082	18-7200	18-7070
8	283" (4.6L)	R-4	4GC	7013071, 7015090	—	18-7019
8	283" (4.6L)	C-4	WCFCB	2669, 3205	—	18-7025
8	283" (4.6L), 307" (5.0L), 327" (5.3L)	C-4	AFB	3660, 6310	—	18-7022
8	305" (5.0L), 350" (5.7L)	R-4	4MC	17056287, 17058280	18-7201	18-7072
8	305" (5.0L), 350" (5.7L), 454" (7.4L)	R-4	4MV	17059294, 17059295, 17059296	18-7201	18-7095
8	307" (5.0L), 327" (5.3L), 350" (5.7L)	C-4	AVS	4695, 6117	—	18-7023
8	307" (5.0L), 454" (7.4L)	R-4	4MV	7044283, 7044288, 7044289	18-7201	18-7072

① Does not include metering rods

 <p>18-7257 AC FUEL PUMP (Flange I.D. #7241) For: Hercules B,D,J,XD, L Series, M Series</p>	 <p>18-7260 AC FUEL PUMP (Flange I.D. #40155, M3120) For: GM (V-8) 283, 307, 327, 350, 409</p>	 <p>18-7265 AP# 13476 AC FUEL PUMP Replaces: 16.83-08758, FI8308762 (Flange I.D. #41412) For: GM (V-8) 305, 350, 400</p>
--	--	--

 <p>18-7272 AC FUEL PUMP (Flange I.D. #41419, M73020) For: GM (V-8) 283, 305, 350, 400</p>	 <p>18-7278 AP# 1815 CARTER FUEL PUMP (Flange I.D. #60032) For: GM (4 & 6 Cyl.) 153, 181, 250, 224, 225</p>
---	---

ALL SIERRA FUEL PUMPS INCLUDE MOUNTING GASKET

INBOARD