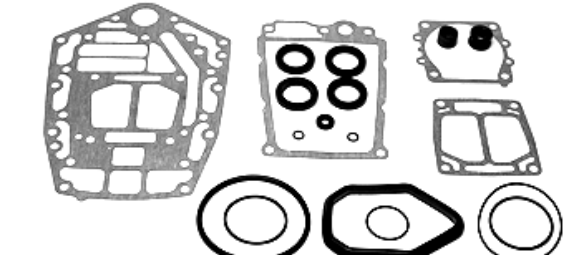


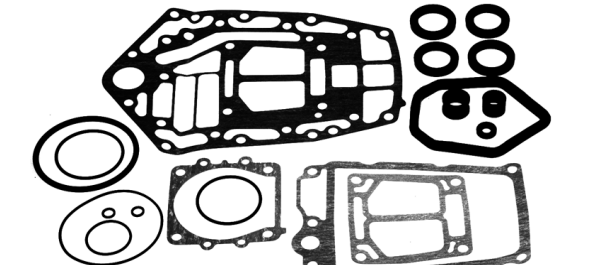
18-2792
AP# 2150
GEAR HOUSING SEAL KIT
Replaces: 6H4-W0001-21-00, 6H4-W0001-20-00
— CONTAINS —

Sierra#	Desc.	O.E.#	Qty.
18-0292	Wear Plate to Pump Housing Gasket	663-44315-A0-00	1
18-0294	Wear Plate to Pump Base Gasket	663-44324-A0-00	1
18-4698	Drain or Fill Washer Gasket	YSG-14090-90-8G	2
18-0296	Oil Seal	93101-22067-00	2
18-0297	Oil Seal	93101-23070-00	2
18-0298	O-Ring	93210-41042-00	1
18-0299	O-Ring	93210-66M98-00	1
18-0293	Pump Base to Gearcase Gasket	663-44316-A0-00	1



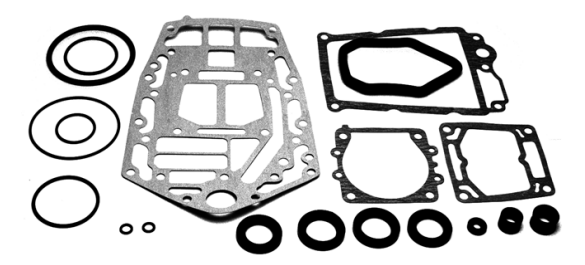
18-2794
AP# 2151
GEAR HOUSING SEAL KIT
Replaces: 6G5-W0001-21-00, 6G5-W0001-C1-00
— CONTAINS —

Sierra#	Desc.	O.E.#	Qty.
18-0244	Water Pump Gasket	6E5-44315-A0-00	1
18-4698	Drain or Fill Washer Gasket	YSG-14090-90-8G	2
18-0265	Oil Seal	93101-28M16-00	2
18-0266	Oil Seal	93101-30M17-00	2
18-0267	Oil Seal	93106-09014-00	1
18-7483	O-Ring	93210-37M67-00	1
18-7485	O-Ring	93210-86M38-00	1
18-0275	O-Ring	93210-97M55-00	1



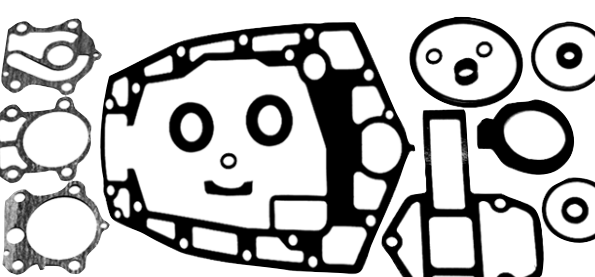
18-2795
AP# 13117
GEAR HOUSING SEAL KIT
Replaces: 6F3-W0001-21-00, 6F3-W0001-C1-00
— CONTAINS —

Sierra#	Desc.	O.E.#	Qty.
18-0244	Water Pump Gasket	6E5-44315-A0-00	1
18-4698	Drain or Fill Washer Gasket	YSG-14090-90-8G	2
18-0265	Oil Seal	93101-28M16-00	2
18-0266	Oil Seal	93101-30M17-00	2
18-0267	Oil Seal	93106-09014-00	1
18-7483	O-Ring	93210-37M67-00	1
18-7485	O-Ring	93210-86M38-00	1



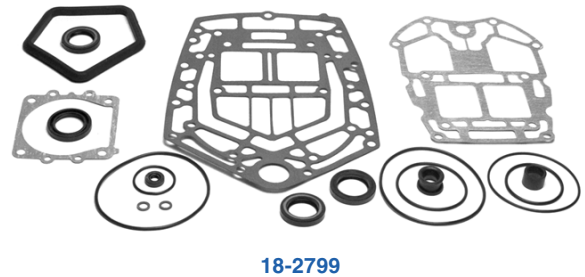
18-2796
AP# 13119
GEAR HOUSING SEAL KIT
Replaces: 6E5-W0001-51-00, 6E5-W0001-F1-00
— CONTAINS —

Sierra#	Desc.	O.E.#	Qty.
18-0244	Water Pump Gasket	6E5-44315-A0-00	1
18-4698	Drain or Fill Washer Gasket	YSG-14090-90-8G	2
18-0265	Oil Seal	93101-28M16-00	2
18-0266	Oil Seal	93101-30M17-00	2
18-0267	Oil Seal	93106-09014-00	1
18-7483	O-Ring	93210-37M67-00	1
18-7485	O-Ring	93210-86M38-00	1



18-2798
AP# 2149
GEAR HOUSING SEAL KIT
Replaces: 688-W0001-20-00, 688-W0001-C0-00
— CONTAINS —

Sierra#	Desc.	O.E.#	Qty.
18-0240	Wear Plate to Gear Case Mounting Gasket	688-44316-A0-00	1
18-4698	Drain or Fill Washer Gasket	YSG-14040-90-8G	3
18-7436	O-Ring	93210-46044-00	1
18-0288	O-Ring	93210-85M97-00	1
18-0239	Wear Plate to Pump Housing Gasket	688-44315-A0-00	1
18-0267	Oil Seal	93106-09014-00	1



18-2799
AP# 13119
GEAR HOUSING SEAL KIT
Replaces: 61A-W0001-21-00, 61A-W0001-C1-00
— CONTAINS —

Sierra#	Desc.	O.E.#	Qty.
18-0244	Water Pump Gasket	6E5-44315-A0-00	1
18-4698	Drain or Fill Washer Gasket	YSG-14040-90-8G	2
18-0265	Oil Seal	93101-28M16-00	2
18-0266	Oil Seal	93101-30M17-00	1
18-0267	Oil Seal	93106-09014-00	1
18-7483	O-Ring	93210-37M67-00	1
18-7485	O-Ring	93210-86M38-00	1
18-7444	O-Ring	93210-04384-00	1

APPLICATIONS ON NEXT PAGE
ALL PARTS SHOWN ARE INCLUDED IN KIT. PART#'S LISTED, ARE AVAILABLE INDIVIDUALLY

OUTBOARD