

MERCURY/MARINER

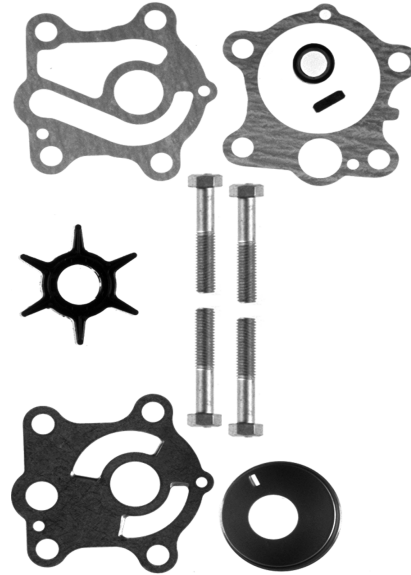
Cooling System



18-3570
WATER PUMP KIT
Replaces: 817275A1, 817275A2
— CONTAINS —

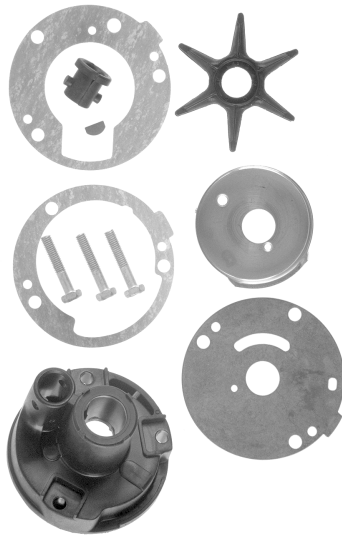
Sierra#	Desc.	O.E.#	Qty.
NSS	Water Pump Housing	—	1
18-3056	Impeller	47-430262	1
18-2599	Face Seal & Tool	26-816575A2	1
18-3122	Impeller Plate	817276	1

HP	Beg. S/N	End. S/N	HP	Beg. S/N	End. S/N
817275A2 APPLICATION					
817275A2 APPLICATION (Cont.)					
40 (4 stroke)			80 Jet	OD283222	& UP
(4 cyl.) Bigfoot	OT228405	& UP	90 (3 cyl.)	OA996142	& UP
50 (4 stroke)			90 (4 stroke)	OG960500	& UP
935cc Big Foot	OG231123	OT178499	100 (4 cyl.)	OB209468	& UP
50 (4 stroke)			115 (4 cyl.)	OC100000	& UP
996cc Big Foot	OT178500	& UP	125 (4 cyl.)	OD283222	& UP
817275A1 APPLICATION					
60 (3 cyl.)			45 (4 stroke)		
Bigfoot	OD000750	& UP	Bigfoot Bodensee	OG231123	& UP
60 (4 stroke)			V-200 DFI (3.0L)	OG386496	OG589999
Bigfoot	OT178500	& UP	V-200 DFI (3.0L)	OG590000	& UP
65 Jet	OC283222	& UP	V-225 (3.0L)		
70 (3 cyl.)	OA996142	& UP	Carb & EFI	OD280813	& UP
75 (3 cyl.)	OC222000	& UP	V-225 DFI	OG590000	& UP
75 (4 stroke)	OG960500	& UP	V-250 (3.0L) EFI	OG129222	& UP
80 (3 cyl.)	OA996142	& UP			



18-3425
AP# 2079
WATER PUMP REPAIR KIT
Without Housing
Replaces: 84188M, 84188T
— CONTAINS —

Sierra#	Desc.	O.E.#	Qty.
18-0292	Wear Plate to Pump Housing Gasket	27-81417M	1
18-3435	Insert Cup	—	1
18-0294	Wear Plate to Pump Base Gasket	—	1
18-3069	Impeller	47-81423M, 47-97108M	1
18-0256	Bolt	—	2
18-0258	Bolt	—	2
18-3436	Impeller Plate	—	1



18-3426
AP# 13190
WATER PUMP REPAIR KIT
With Housing
Replaces: 42431M, 97793M, 97793T
— CONTAINS —

Sierra#	Desc.	O.E.#	Qty.
18-3438	Impeller Plate	—	1
18-3067	Impeller	47-84797M	1
18-3437	Insert Cup	—	1
18-0777	Seal Cover Gasket	27-41273M	1
18-0774	Wear Plate Gasket	—	1



18-3427
AP# 13191
WATER PUMP REPAIR KIT
With Housing
Replaces: 95611M
— CONTAINS —

Sierra#	Desc.	O.E.#	Qty.
18-0773	Wear Plate Gasket	—	1
18-3438	Impeller Plate	—	1
18-3067	Impeller	47-84797M	1
18-3439	Insert Cup	—	1
18-0774	Wear Plate Gasket	—	1

APPLICATIONS BEGIN ON PAGE 287 - ALL PARTS SHOWN ARE INCLUDED IN KIT. 18-#S LISTED, ARE AVAILABLE INDIVIDUALLY.

OUTBOARD