

Crossflow V-4 Engine

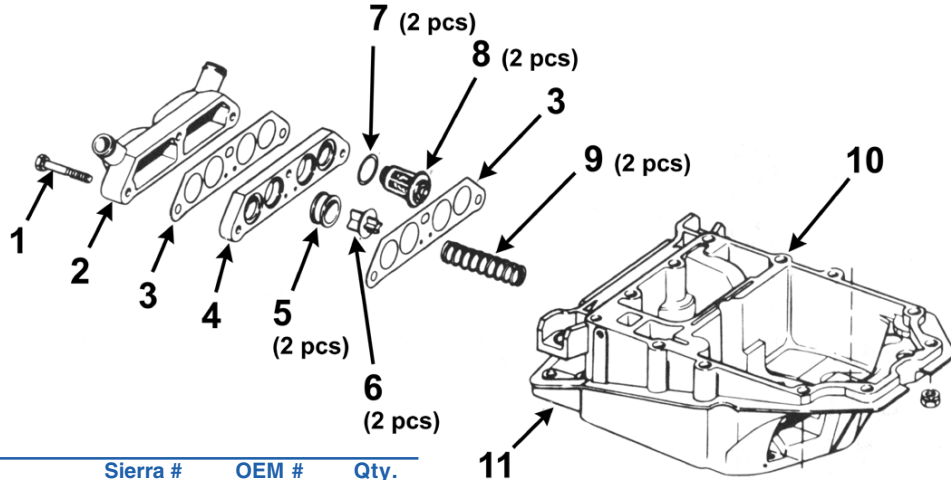


Fig. #	Description	Sierra #	OEM #	Qty.
1.	Screw Cover	—	305652	3
2.	Cover	—	321690	1
3.	Gasket	18-0977	332369	2
4.	Valve Body	—	321693	1
5.	Grommet	18-2391	321692	2
6.	Valve	18-3564	318395	2
7.	Thermostat Gasket	—	321932	2
			434841,	
8.	Thermostat	18-3553	393659	2
9.	Spring	18-1243	317245	2
10. ①	Adapter to Powerhead Gasket	18-0957	318373	1
10. ②	Adapter to Powerhead Gasket	18-2864	321727	1
11.	Adapter	—	331039	1

① Year/Models 1973-1977 ② Year/Models 1978-1996

Crossflow V-6 Engine

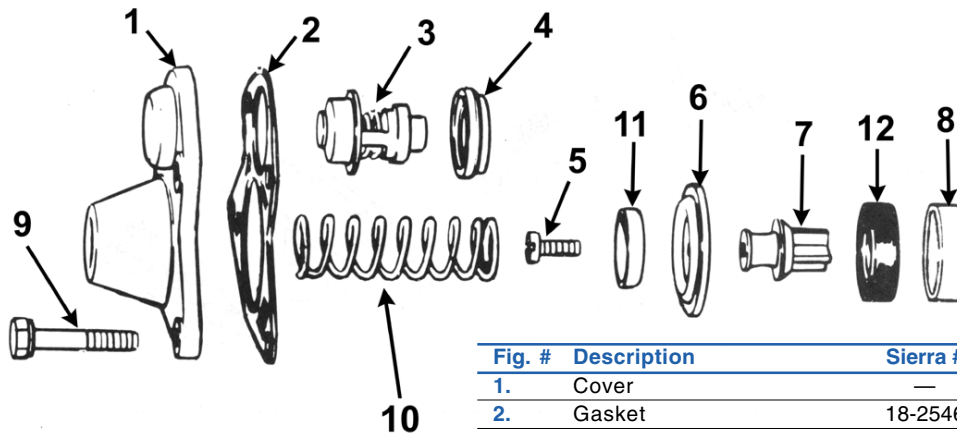


Fig. #	Description	Sierra #	OEM #	Qty.
1.	Cover	—	321013	1
2.	Gasket	18-2546	321184	1
3.	Thermostat	18-3553	434841, 393659	1
4.	Thermostat Gasket	18-0182	310058	1
5.	Stainless Steel Bolt	18-3135	306643	1
6.	Seal	18-3567	321221	1
7.	Valve	18-3563	321027	1
8.	Washer	18-3562	321222	1
9.	Screw	—	306778	4
10.	Spring	18-1243	317245	1
11.	Retainer	18-3565	321220	1
12.	Grommet	18-1219	320880	1

Courtesy of Seloc Publishing

APPLICATION ON NEXT PAGE