

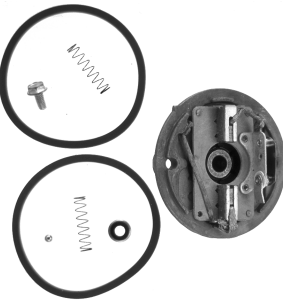




JOHNSON/EVINRUDE (OMC) Electrical System




 <p>18-6250 OUTBOARD STARTER REPAIR KIT Prestolite 2 Brush</p>	 <p>18-6251 OUTBOARD STARTER REPAIR KIT Prestolite 4 Brush</p>	 <p>18-6252 TRIM & TILT MOTOR REPAIR KIT For use with 18-6767</p>	 <p>18-9802 TIMING LIGHT Self-powered accurate up to 10,000 RPM's</p>
--	--	---	---



**18-5501
Round Plug Style**



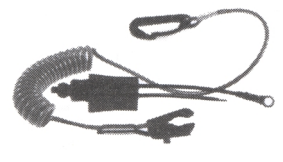

INTERNAL WIRING HARNESSES


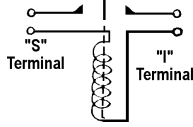
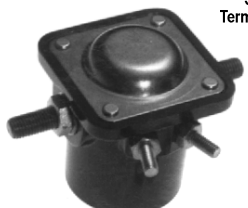
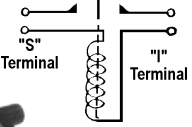
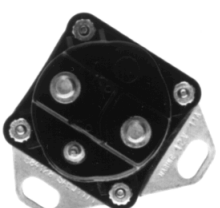
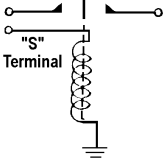
All harnesses feature soldered connections, braided covering and high temperature burn proof wire. These harnesses are for Prestolite and Motorola ignition systems.



**18-5504
Flat, Rectangular Plug Style**

INTERNAL WIRING HARNESS APPLICATION													
HP	Year	Amp/Pulse Pack Type	Amp/Pulse Pack OE #	Plug Style	Orig.(OMC) Harness #	Repl. Harness #	HP	Year	Amp/Pulse Pack Type	Amp/Pulse Pack OE #	Plug Style	Orig.(OMC) Harness #	Repl. Harness #
55	1968	6CB2007	389549	F	382640	18-5500	85	① 1968	6CB2009	389549	F	382557	18-5504
55	1969	6CB2007	389549	R	383327	18-5501	① Electric Shift R Round F Flat						

 <p>18-5705 AP# 1561 POWER TRIM RELAY Replaces: 582472, 584416, 586224 5 Terminal • Single Pull Double Throw • 12 Volt</p> <table border="1"> <tr> <th>Contact</th> <th>Resistive</th> <th>Conductive</th> </tr> <tr> <td>Open</td> <td>40 Amps</td> <td>30 Amps</td> </tr> <tr> <td>Closed</td> <td>20 Amps</td> <td>15 Amps</td> </tr> </table>	Contact	Resistive	Conductive	Open	40 Amps	30 Amps	Closed	20 Amps	15 Amps	<p>NEW</p>  <p>18-1282 CLIP & LANYARD Replaces: 398602 For use with Ignition Kill Switch</p>	 <p>MP28870 SWITCH & LANYARD Replaces: 585134</p>	 <p>MP28880 LANYARD Replaces: 432230</p>
Contact	Resistive	Conductive										
Open	40 Amps	30 Amps										
Closed	20 Amps	15 Amps										

 <p>18-5807 AP# 895 SOLENOID Replaces: 378444, Prestolite SAW4206</p> 	 <p>18-5808 AP# 890 SOLENOID Replaces: 395419, 582708</p> 	 <p>18-5813 AP# 13408 SOLENOID SWITCH Replaces: 584128</p> 
---	--	--

SOLENOID APPLICATION ON NEXT PAGE

OUTBOARD